

AMENDMENTS TO THE DRAWINGS

The Examiner objected to the drawings under 37 C.F.R. 1.83(a) asserting that the drawings must show at least one of said flexion channels between said plurality of raised portions. Applicant submits a proposed drawing correction to Figures 12A and 13A (Appendix A) showing in dashed lines the flexion channels 70 on the rear of the flotation element 60 in relation to the enhanced buoyancy regions 66. It is respectfully submitted that the originally submitted drawings 12A-B and 13A-B disclose the location of the flexion channels relative to the raised portions as each pair of drawings show the front and back of the same flotation element. Withdrawal of this objection is respectfully requested.

APPENDIX A

(PROPOSED DRAWING CHANGES)

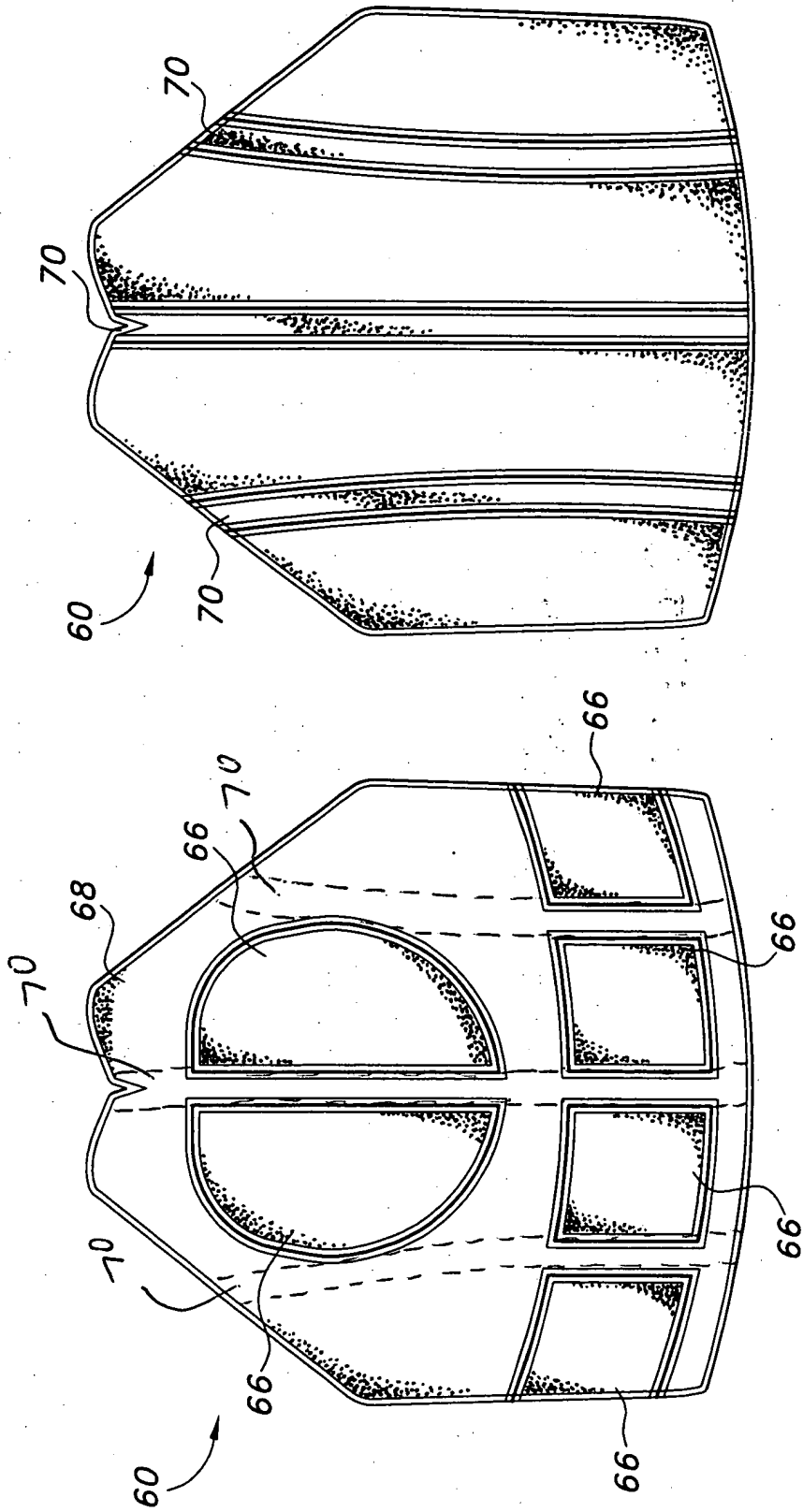


FIG 12B

FIG 12A

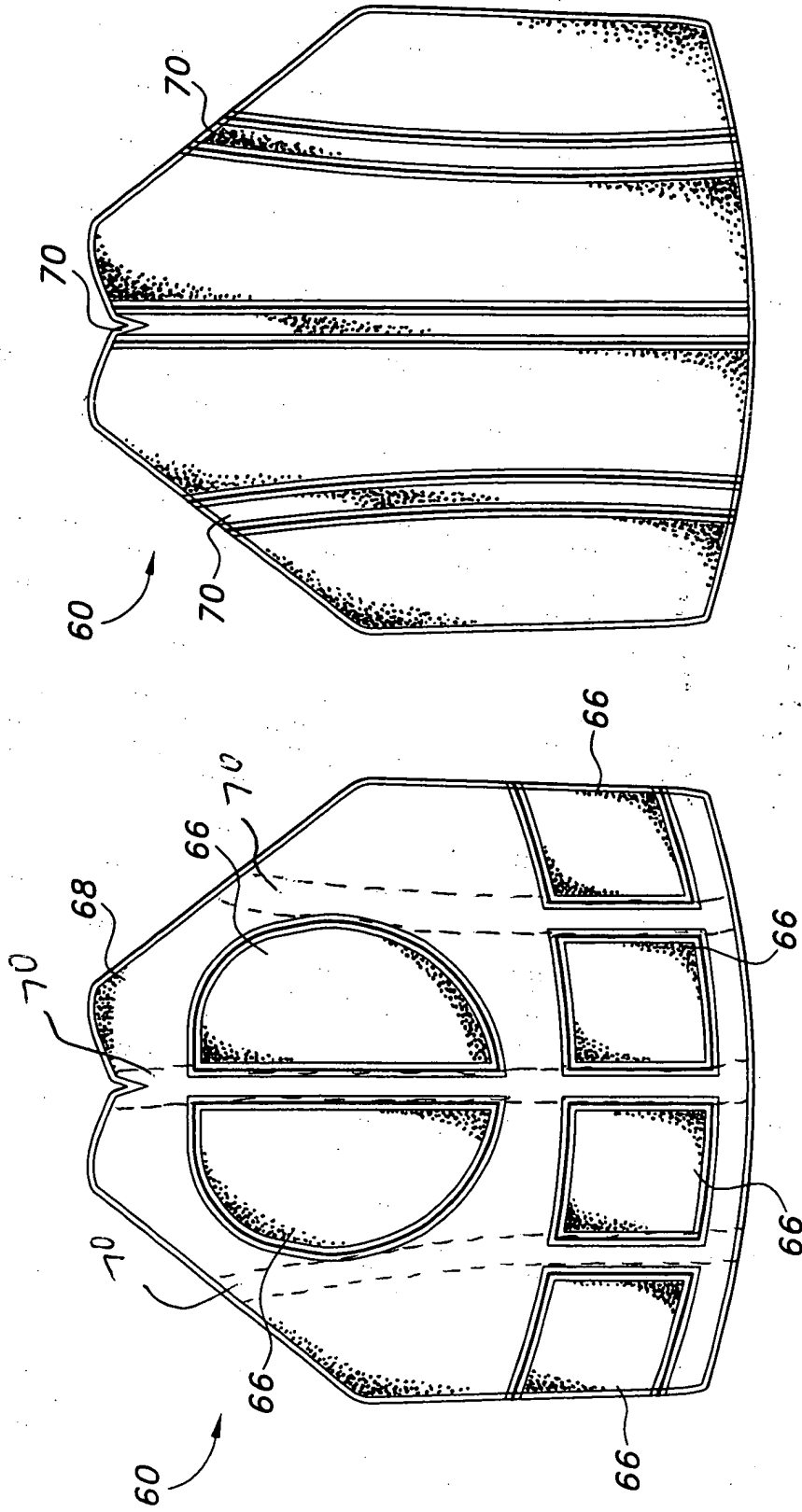


FIG 12B

FIG 12A

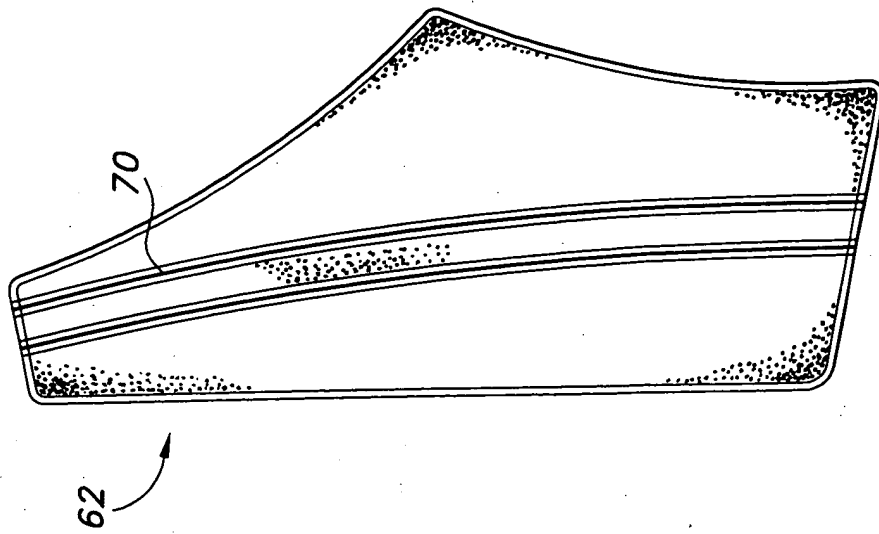
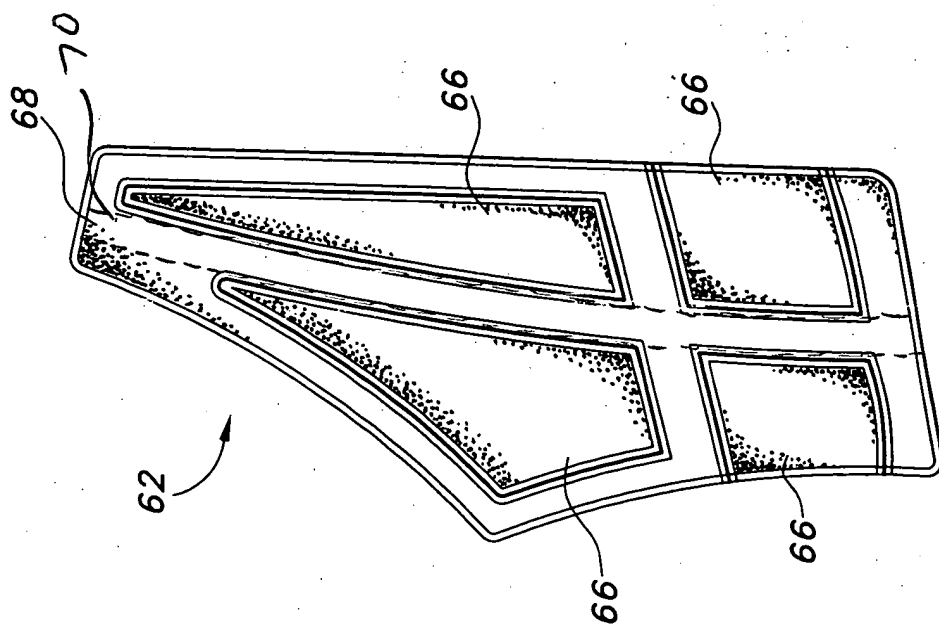


FIG 13A

FIG 13B

O I P E J C I A
F E B 2 3 2 0 0 4
P A T E N T & T R A D E M A R K O F F I C E

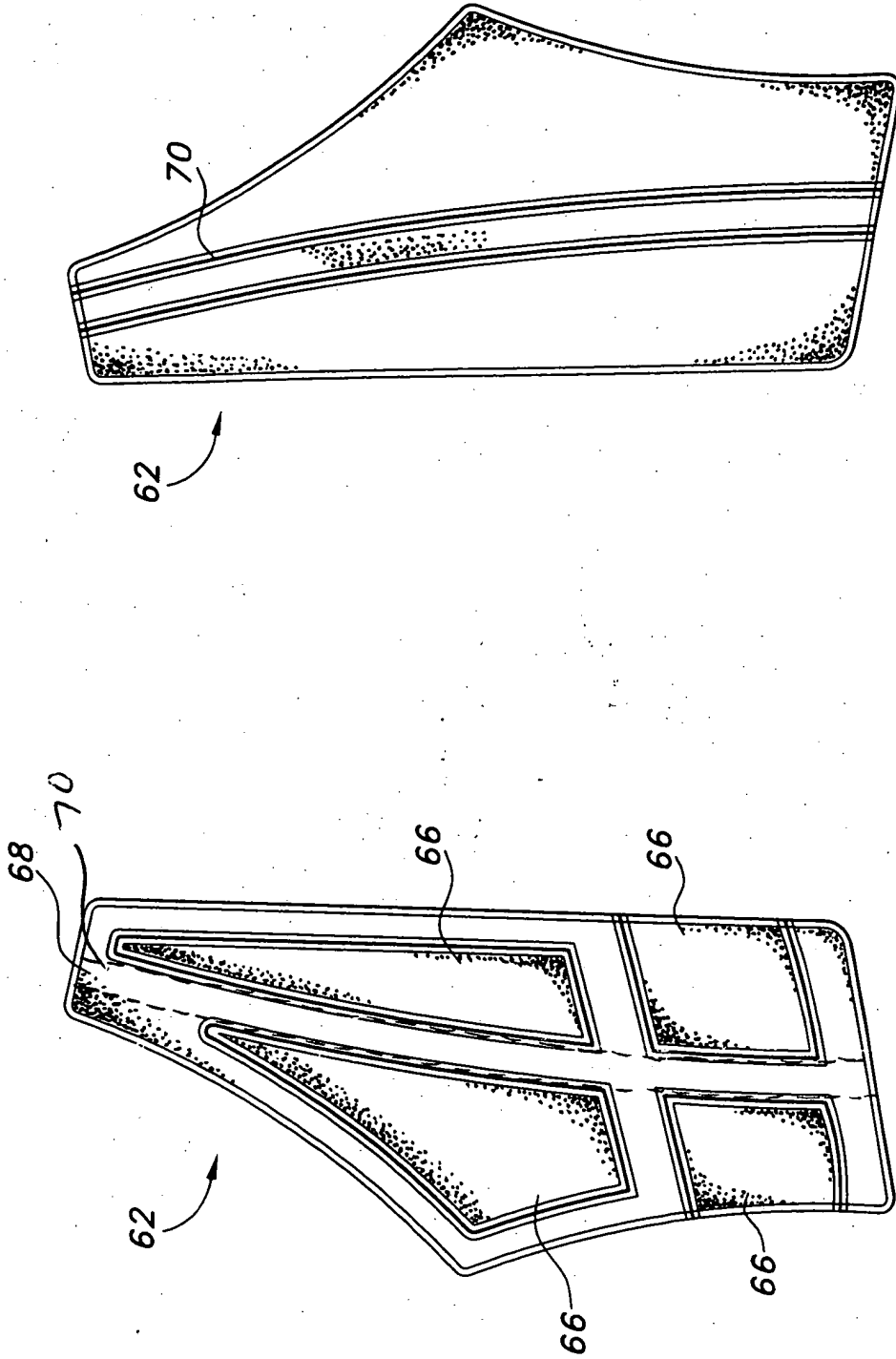


FIG 13B

FIG 13A